

## DC-DC CONVERTER

B Series BXXXXS-W2 1KV Isolation 0.25W Unfixed, Single Output SIP4 Package

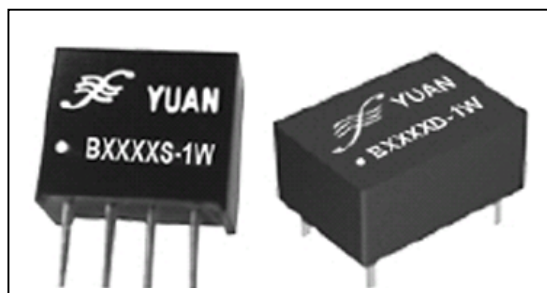
### Available Inputs

5, 12, 15, 24 VDC

### Available Outputs

3.3, 5, 9, 12, 15, 18, 24 VDC

Other specifications please enquire Sunyuan Technology



### Electrical Specifications

(Typical at + 25° C, nominal input voltage, rated output current unless otherwise specified)

### Input Specifications

Voltage range +/- 10 %  
Filter Tantalum capacitance

### Isolation Specifications

Rated voltage 1000 VDC  
Leakage current 1 mA  
Resistance  $10^9$  Ohm  
Capacitance 60 pF type.

### Output Specifications

Voltage accuracy +/- 5 %, max.  
Ripple and noise (at 20 MHz BW) 100mV p-p, max.  
Short circuit protection immediately (<1s)  
Line voltage regulation +/- 1,2 % / 1,0 % of  $V_{in}$   
Load voltage regulation +/- 8 %, load = 20 ~ 100 %  
Temperature coefficient +/- 0,02 % / ° C

### General Specifications

Efficiency 75 % to 85 %  
Switching frequency 125KHz, type.

### Environmental Specifications

Operating temperature (ambient) - 40°C to + 85°C  
Storage temperature - 55 °C to + 125 °C  
Derating See graph  
Humidity ≤ 90 %, non condensing  
Cooling Free air convection

### Physical Characteristics

Dimensions SIP 11.68 x 6,00 x 10,16 mm  
0,46 x 0,24 x 0,40 inch

### Weight

2.8 g

### Case material

Non conductive black plastic

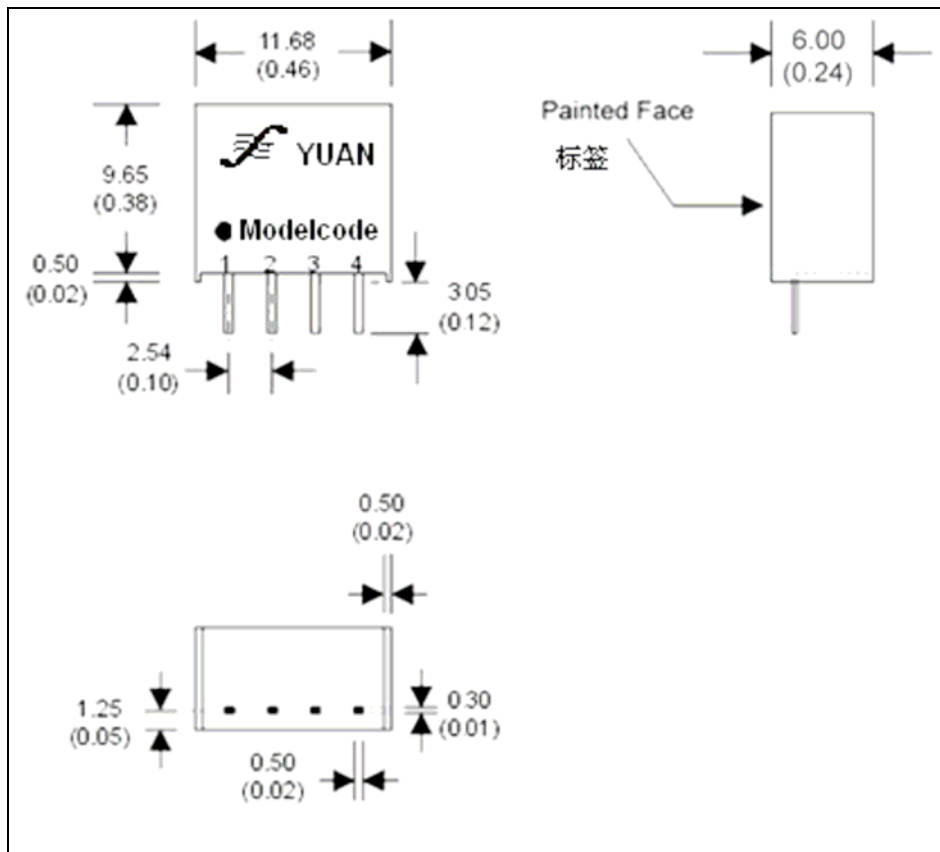
# DC-DC CONVERTER

B Series BXXXXS-W2 1KV Isolation 0.25W Unfixed, Single Output SIP4 Package

## Examples of Part numbers

SUNYUAN PART NO	INPUT VOLTAGE (VDC)	INPUT CURRENT (NO LOAD)	INPUT CURRENT (FULL LOAD)	OUTPUT VOLTAGE (VDC)	OUTPUT CURRENT (MAX)	EFFICIENCY
B0503S-W2	5	7	90	3.3	75	72
B0505S-W2	5	7	80	5	50	75
B0512S-W2	5	7	80	12	35	74
B1205S-W2	12	7	30	5	50	74
B1212S-W2	12	7	30	12	21	80
B1215S-W2	12	7	30	15	17	78
B2405S-W2	24	7	20	5	50	75
B2412S-W2	24	7	20	12	21	77
B2415S-W2	24	8	20	15	17	76

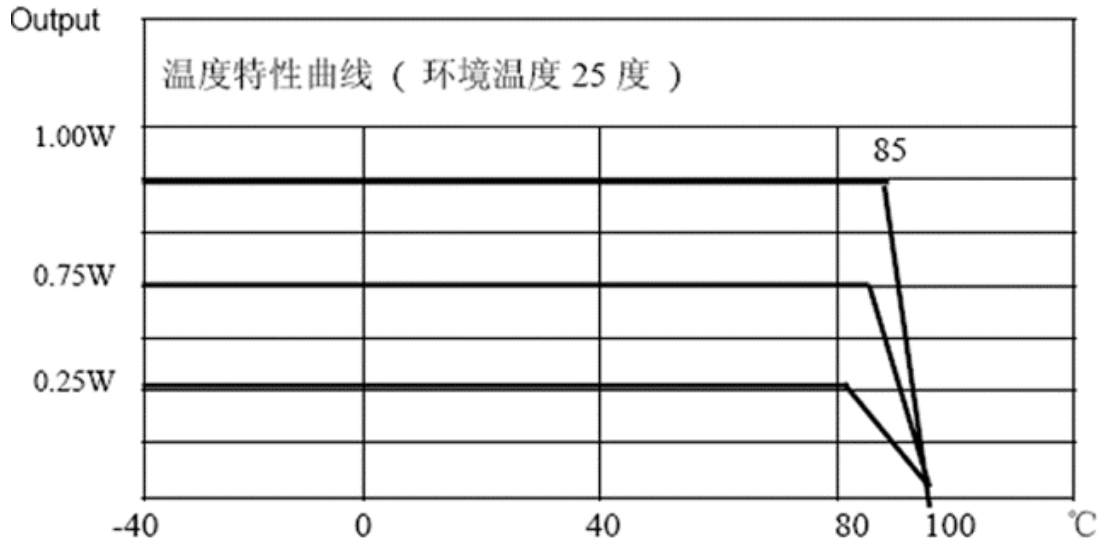
## Dimension



# DC-DC CONVERTER

B Series BXXXXS-W2 1KV Isolation 0.25W Unfixed, Single Output SIP4 Package

## Temperature Graph and Pinning



Pin	Function description		
1	-	V <sub>in</sub>	Negative Input
2	+	V <sub>in</sub>	Positive input
3	-	V <sub>out</sub>	Negative Output
4	+	V <sub>out</sub>	Positive output

\* Specification can be changed without notice.