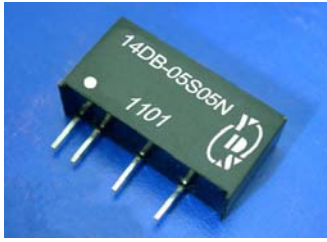




## 1000Vdc Isolation Single & Dual Output 1 Watt Dc-Dc Converter



### FEATURES:

- 7PIN SIP Package
- Output Short Circuit Protection
- Unregulated Output Types
- Internal SMD Construction
- Industry Standard Pinout
- Operating Temperature:-40°C TO +85°C

### Continuous Short Circuit Protection

Specifications typical at TA=25°C, nominal input voltage and rated output current unless otherwise specified

Part Number	Output Voltage	Output Current	Efficiency
	Vdc	mA	%TYP
14DB-03S03N	3.3	303	68
14DB-03S05N	5	200	70
14DB-05S05N	5	200	73
14DB-05S09N	9	112	73
14DB-05S12N	12	84	75
14DB-05S15N	15	67	75
14DB-05S24N	24	42	76
14DB-05D05N	±5	±100	69
14DB-05D09N	±9	±56	73
14DB-05D12N	±12	±42	75
14DB-05D15N	±15	±34	75
14DB-05D24N	±24	±21	76
14DB-12S05N	5	200	73
14DB-12S09N	9	112	73
14DB-12S12N	12	84	75
14DB-12S15N	15	67	76
14DB-12D05N	±5	±100	70
14DB-12D12N	±12	±42	75
14DB-12D15N	±15	±34	76
14DB-24S03N	3.3	303	70
14DB-24S05N	5	200	70
14DB-24S12N	12	84	75
14DB-24S15N	15	67	76
14DB-24D05N	±5	±100	68
14DB-24D12N	±12	±42	76
14DB-24D15N	±15	±34	76

### Input Specifications

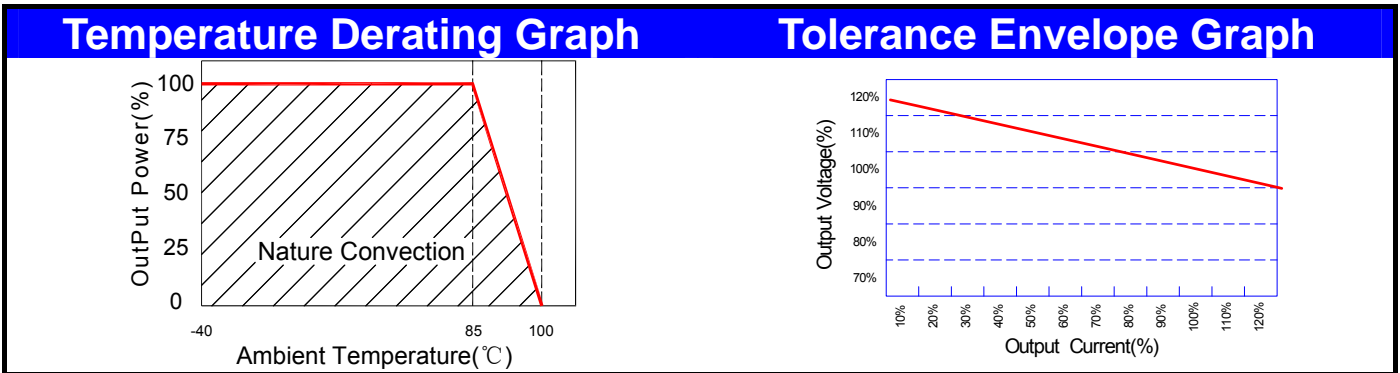
Parameters	Conditions	Min	Typ	Max	Units
Voltage Tolerance	Vo, Io Nom			±10	%
Filter	Capacitor				

### Output Specifications

Parameters	Conditions	Min	Typ	Max	Units
Voltage Tolerance	100% full load			±5	%
Short Circuit	Continuous				
Line Regulation	For 1.0% OF Vin		1.2		%
Load Regulation	10% To 100% F.L		10	20	%
Ripple & Noise	BW=DC To 20MHZ		100	200	mVp-p

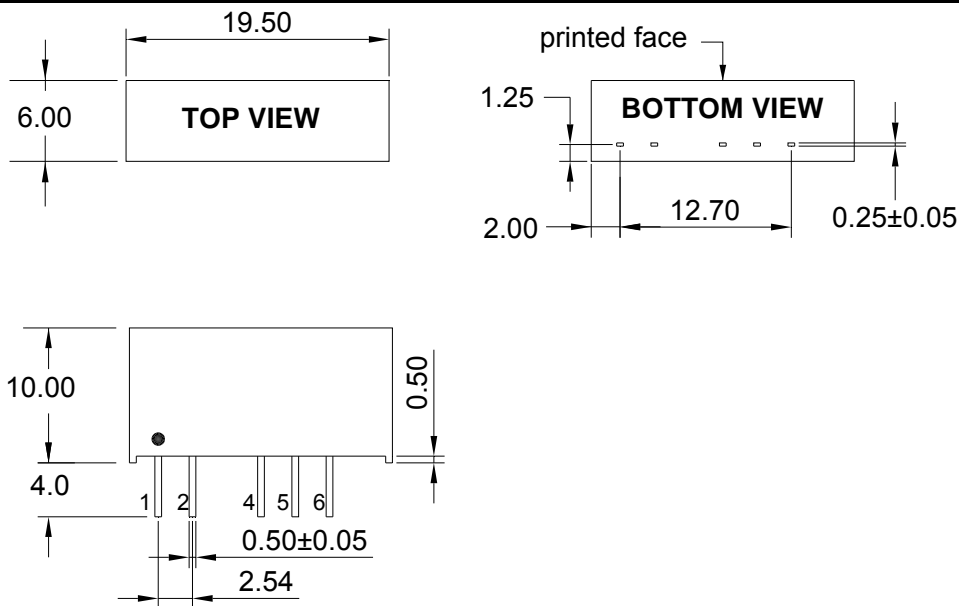
### General Specifications

Parameters	Conditions	Min	Typ	Max	Units
Isolation Resistance	500Vdc	1000			MΩ
Switching Frequency	Full load,nominal input		100		KHz
Operating		-40		+85	°C
Humidity	Non Condensing			95	%
Cooling	Free air Convection				
Case material	DAP				
MTBF	MIL-HDBK-217F@25°C	3500000			Hours
Weight			2.1		g
Dimensions			19.5x6.0x10.0		mm



Recommended Test Circuit		Part Number
<p>Single Output Test Circuit: Vin, Cin, Single, Cout, +Vout, -Vout, GND.</p> <p>3.3V: Cin 4.7uF,25V 3.3V: Cout 22uF,16V            5V: Cin 4.7uF,25V 5V: Cout 10uF,25V            12V: Cin 2.2uF,25V 9V: Cout 4.7uF,25V            24V: Cin 1uF,50V 12V: Cout 2.2uF,25V            15V: Cout 1uF,50V            24V: Cout 1uF,50V</p>	<p>Dual Output Test Circuit: Vin, Cin, Dual, Cout, +Vout, Com, -Vout, GND.</p> <p>5V: Cin 4.7uF,25V 5V: Cout 10uF,25V            12V: Cin 2.2uF,25V 9V: Cout 4.7uF,25V            24V: Cin 1uF,50V 12V: Cout 2.2uF,25V            15V: Cout 1uF,50V            24V: Cout 1uF,50V</p>	<p>14DB - 05 S 05 N</p> <p>A B C D E</p> <p>A: Series            B: Input Voltage            C: Single(S)Dual(D)            D: Output Voltage            E: Unregulated(N)</p>

**Markings and Dimensions**



UNIT:mm Unless otherwise specified,all tolerances are ±0.25

PIN Connection					
Pin	1	2	4	5	6
Single	+Vin	-Vin	-Vout	NO PIN	+Vout
Dual	+Vin	-Vin	-Vout	Common	+Vout