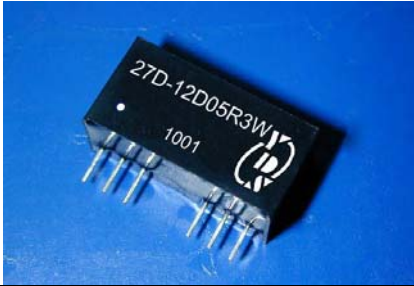




3 Watt Dual Output Regulated 1500vdc Isolation Dc-Dc Converter



FEATURES:

- 2:1 Wide Input Voltages Range
- High Efficiency up to 80%
- Regulated Output Types
- Low Ripple And Noise
- Internal SMD Construction
- Operating Temperature: -40°C TO +85°C
- Industry Standard Pinout
- Continuous Short Circuit Protection With Current Foldback.



Specifications typical at TA=25°C, nominal input voltage and rated output current unless otherwise specified

Part Number	Input Voltage Range	Output Voltage Range	Output Current	Efficiency
	Vdc	Vdc	mA	%TYP
27D-12D05R3W	9-18	±5	±300	70
27D-12D09R3W	9-18	±9	±167	75
27D-12D12R3W	9-18	±12	±125	78
27D-12D15R3W	9-18	±15	±100	80
27D-24D05R3W	18-36	±5	±300	70
27D-24D09R3W	18-36	±9	±167	75
27D-24D12R3W	18-36	±12	±125	78
27D-24D15R3W	18-36	±15	±100	80
27D-48D05R3W	36-72	±5	±300	70
27D-48D09R3W	36-72	±9	±167	75
27D-48D12R3W	36-72	±12	±125	78
27D-48D15R3W	36-72	±15	±100	80

Input Specifications

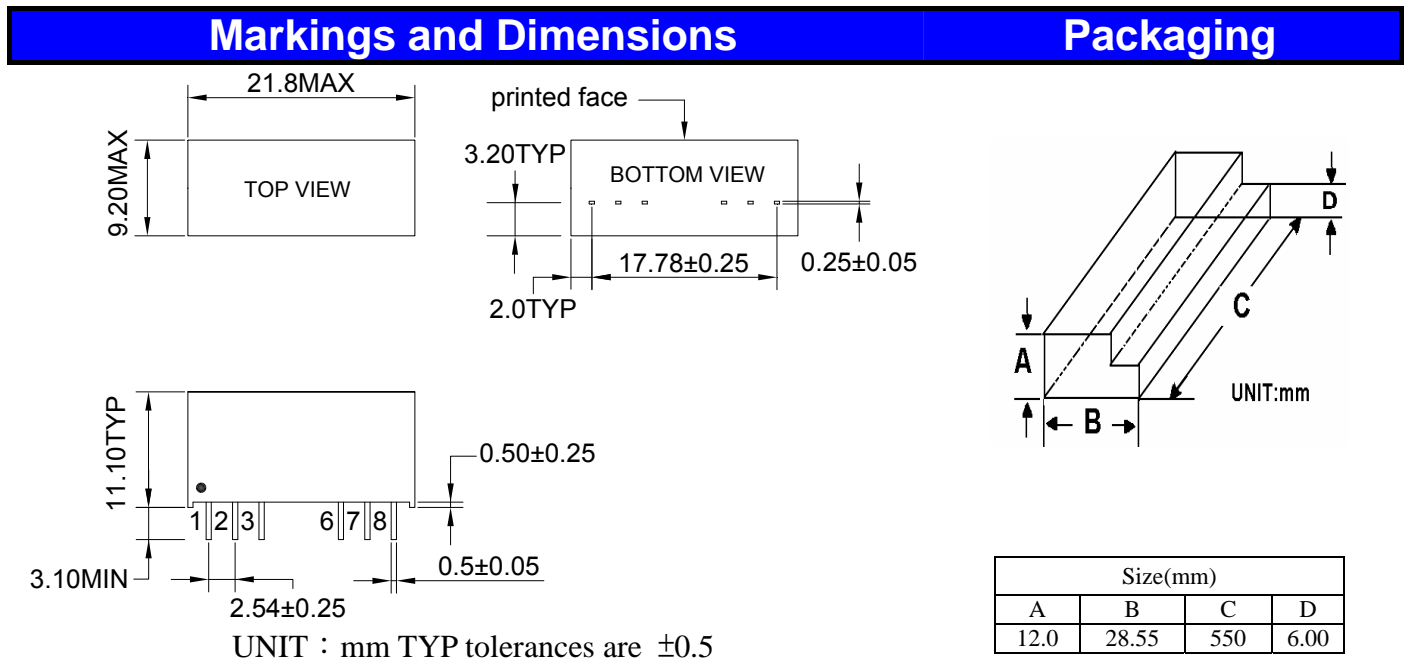
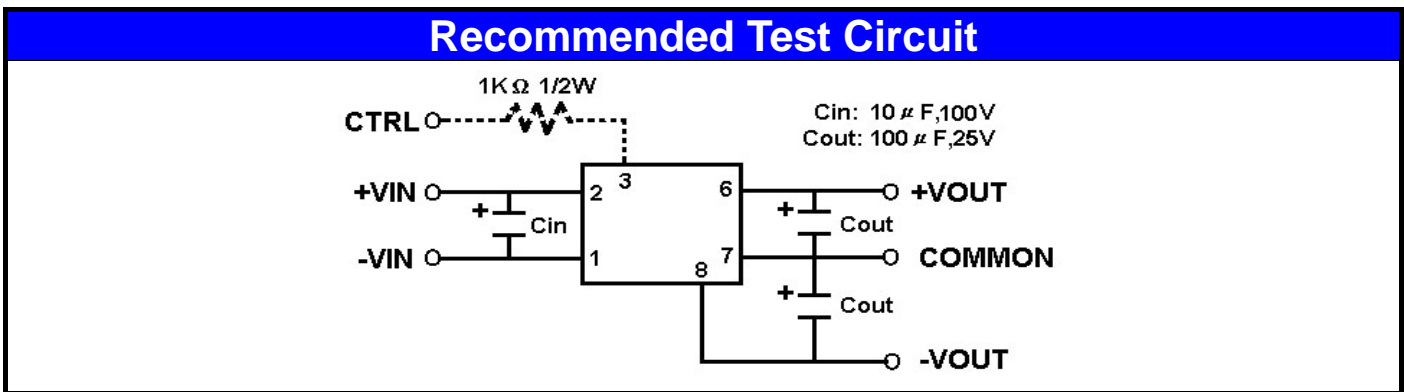
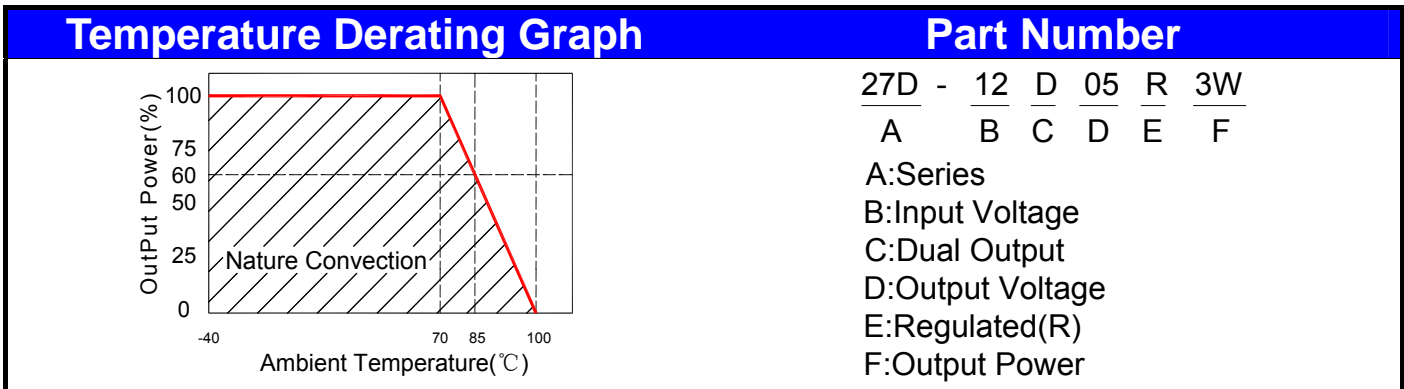
Parameters	Conditions	Min	Typ	Max	Units
Voltage Tolerance	Vo, Io Nom			2:1	
Filter	Capacitor				

Output Specifications

Parameters	Conditions	Min	Typ	Max	Units
Voltage Tolerance	100% full load			±3	%
Short Circuit Protection	Continuous				
Line Regulation	REGULATED			±0.5	%
Load Regulation	REGULATED			±0.8	%
Ripple & Noise	Output: 5-9V TYPES BW=DC To 20MHz			100	mVp-p
Ripple & Noise	Output: 12-15V TYPES BW=DC To 20MHz			1% of Vout	mVp-p
Transient response setting time	50% load step change		350		us

General Specifications

Parameters	Conditions	Min	Typ	Max	Units
Isolation Resistance	500Vdc	1000			MΩ
Switching Frequency	Full load, nominal input		100		KHz
Operating Temperature		-40		85	°C
Humidity	Non Condensing			95	%
Cooling	Free air Convection				
Case material	DAP				
MTBF	MIL-HDBK-217F@25°C	1500000			Hours
Weight			4.5		g
Dimensions			21.8X9.2X11.1		mm



PIN Connection						
PIN	1	2	3	6	7	8
Dual	-Vin	+Vin	Ctrl-Control input can (can be left open)	+Vout	COM	-Vout