



1500Vdc Isolation Single & Dual Output 3 Watt Dc-Dc Converter



FEATURES:

- 5PIN DIL PACKAGE
- Low Ripple & Noise
- High Efficiency up to 85%
- Regulated Output Types
- Internal SMD Construction
- Operating Temperature: -40°C TO +85°C ● Industry Standard Pinout



Specifications typical at TA=25°C, nominal input voltage and rated output current unless otherwise specified

PART NO.	OUTPUT VOLTAGE	OUTPUT CURRENT	Efficiency
	Vdc	mA	%TYP
60D-XXS05C	5	600	65
60D-XXS09C	9	333	70
60D-XXS12C	12	250	75
60D-XXS15C	15	200	80
60D-XXS24C	24	125	80
60D-XXD05C	±5	±300	65
60D-XXD09C	±9	±167	70
60D-XXD12C	±12	±125	75
60D-XXD15C	±15	±100	80
60D-XXD24C	±24	±63	80

Note: 1. "XX" Is Input Voltage :05=5Vdc,09=9Vdc,12=12Vdc,15=15Vdc,24=24Vdc,48=48Vdc.

2. The input voltage increases, there will be an increase in efficiency.

Input Specifications

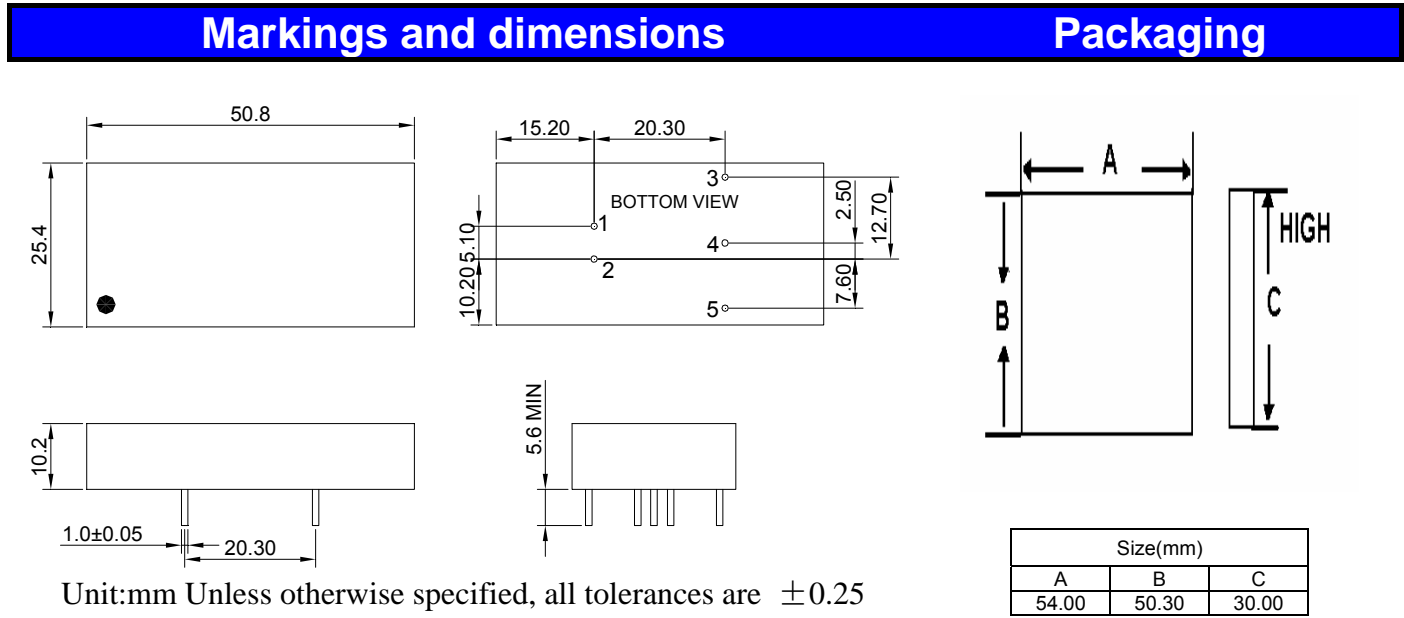
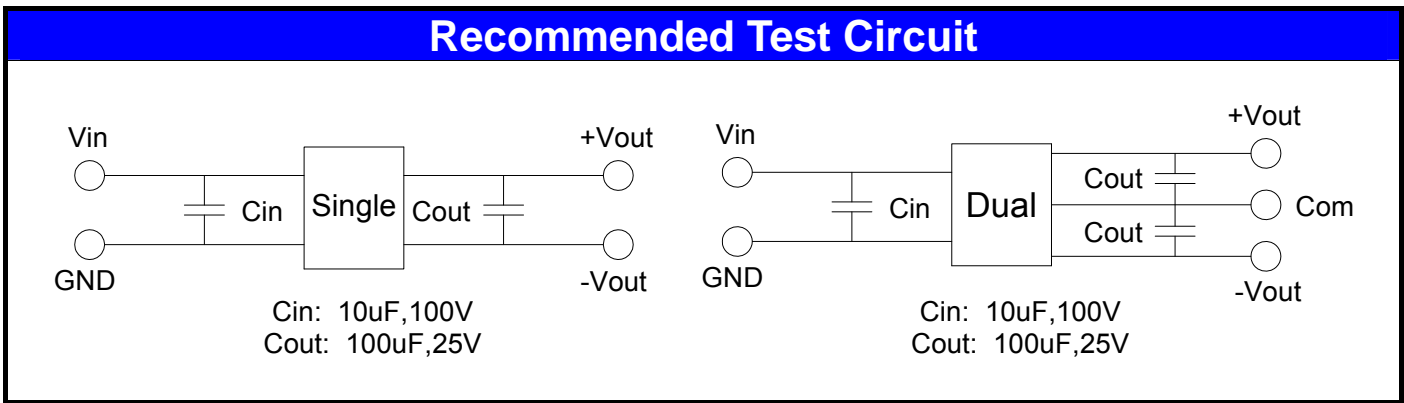
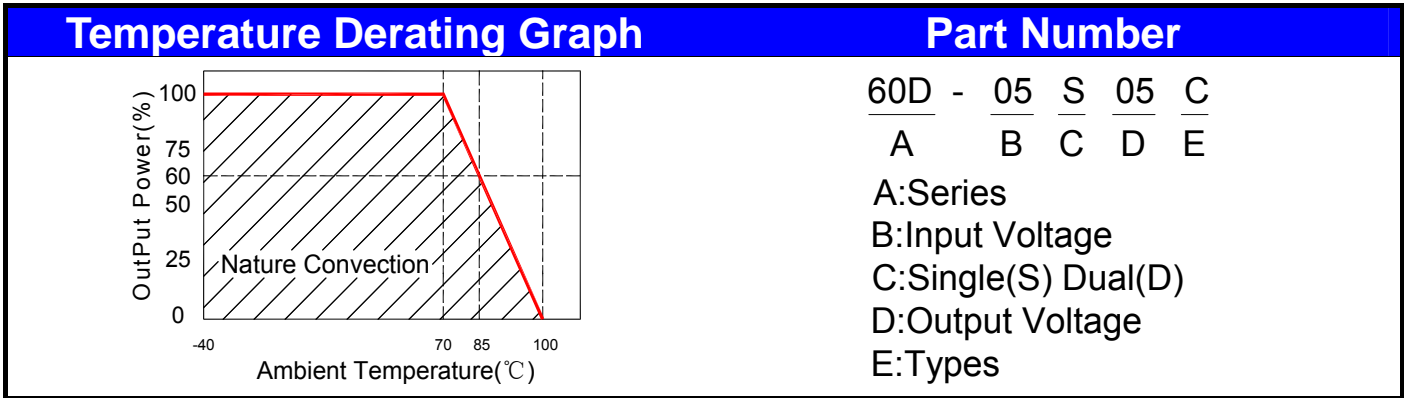
Parameters	Conditions	Min	Typ	Max	Units
Voltage Tolerance	Vo, Io Nom			±10	%
Filter	Capacitor				

Output Specifications

Parameters	Conditions	Min	Typ	Max	Units
Voltage Tolerance	100% full load			±3	%
Short Circuit Protection	Continuous				
Line Regulation	Regulated			±0.5	%
Load Regulation	Regulated			±0.8	%
Ripple & Noise	Output:5-9V TYPES BW=DC To 20MHz			100	mVp-p
Ripple & Noise	Output:12-24V TYPES BW=DC To 20MHz			1% of Vout	mVp-p

General Specifications

Parameters	Conditions	Min	Typ	Max	Units
Isolation Resistance	500Vdc	1000			MΩ
Switching Frequency	Full load,nominal input		100		KHz
Operating Temperature		-40		85	°C
Humidity	Non Condensing			95	%
Cooling	Free air Convection				
Case material	Nickel Coated With Non-Conductive Base or Black Coated Copper With NON-Conductive Base				
MTBF	MIL-HDBK-217F@25°C	1500000			Hours
Weight			15.5		g
Dimensions	50.8x25.4x10.2				mm



PIN Connection					
PIN	1	2	3	4	5
SINGLE	+Vin	-Vin	+Vout	NO PIN	-Vout
DUAL	+Vin	-Vin	+Vout	COM	-Vout